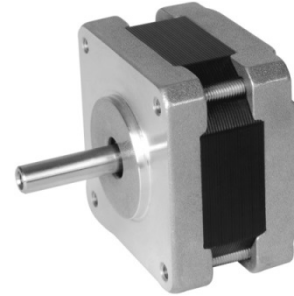


## 2 Phase Hybrid Stepper Motor

### 39PH Series, 1.8 degree, Nema 16, 39 mm

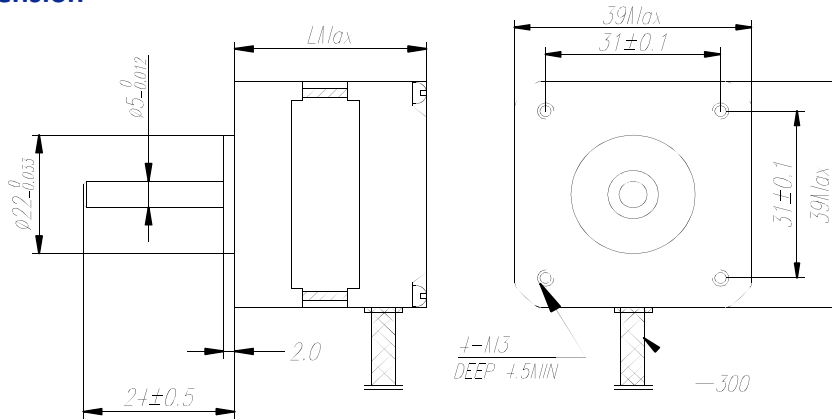
Step Angle	1.8°
Step Angle Accuracy	±5% (full step, no load)
Resistance Accuracy	±10%
Inductance Accuracy	±20%
Temperature Rise	80 °C Max.(rated current, 2 phase on)
Ambient Temperature	-10 °C ~ +50 °C
Insulation Resistance	100 MΩ Min., 500VDC
Dielectric Strength	500 VAC for one minute
Shaft Radial Play	0.02 Max. (450 g-load)
Shaft Axial Play	0.08 Max. (450 g-load)



#### ■ Technical Specifications

Model	Current	Resistance	Inductance	Holding Torque	Detent Torque	Rotor Inertia	Bi/Unipolar	Weight	Length
	A/∅	Ω/∅	mH/∅	Ncm	Ncm	gcm <sup>2</sup>	# of Leads	g	mm
39 PH 01	1.2	3.2	3.0	16	1.0	19	Bi (4)	160	34
39 PH 02	1.2	3.8	4.5	24	1.2	24	Bi (4)	210	40

#### ■ Mechanical Dimension



#### ■ Wiring Diagram

