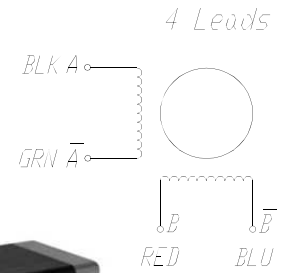


2 Phase Hybrid Stepper Motor

60PH Series, 1.8 degree, Nema 24, 60 mm

Step Angle	1.8°
Step Angle Accuracy	±5% (full step, no load)
Resistance Accuracy	±10%
Inductance Accuracy	±20%
Temperature Rise	80 °C Max.(rated current, 2 phase on)
Ambient Temperature	-10 °C ~ +50 °C
Insulation Resistance	100 MΩ Min., 500VDC
Dielectric Strength	500 VAC for one minute
Shaft Radial Play	0.02 Max. (450 g-load)
Shaft Axial Play	0.08 Max. (450 g-load)

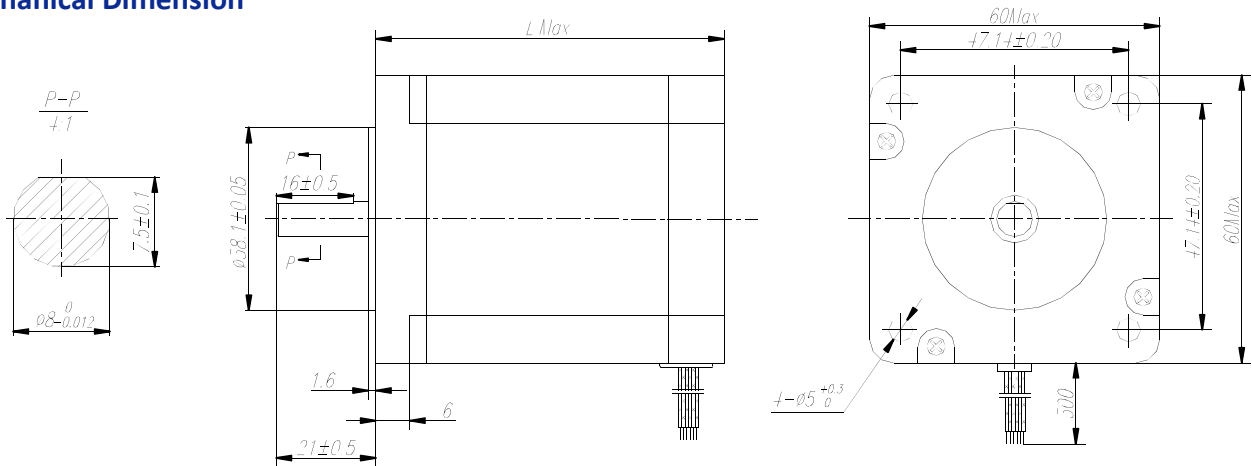
■ **Wiring Diagram**



■ **Technical Specifications**

Model	Current	Resistance	Inductance	Holding Torque	Detent Torque	Rotor Inertia	Bi/Unipolar	Weight	Length
	A/∅	Ω/∅	mH/∅	Nm	Ncm	gcm ²	# of Leads	g	mm
60 PH 20	3.0	0.8	2.3	2.0	5	450	Bi (4)	850	64
60 PH 24	3.0	1.0	3.5	2.4	7	550	Bi (4)	1150	76
60 PH 28	3.0	1.4	5.5	2.8	10	780	Bi (4)	1400	90

■ **Mechanical Dimension**



■ **60PH28-D (Double Shaft)**

