

## 2 Phase Hybrid Stepper Motor

### 86PH Series, 1.8 degree, Nema 34, 86 mm

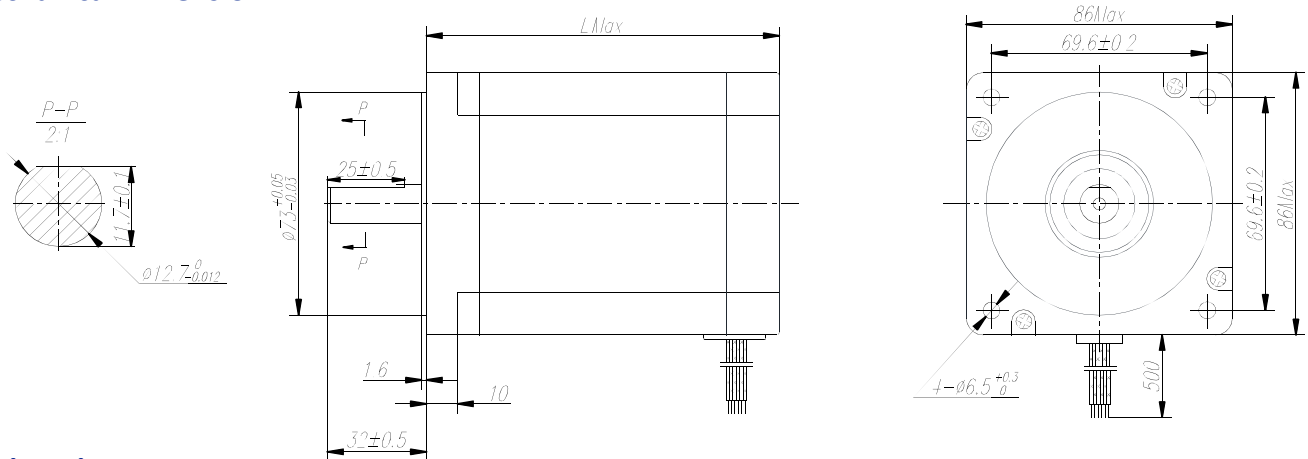
Step Angle	1.8°
Step Angle Accuracy	±5% (full step, no load)
Resistance Accuracy	±10%
Inductance Accuracy	±20%
Temperature Rise	80 °C Max.(rated current, 2 phase on)
Ambient Temperature	-10 °C ~ +50 °C
Insulation Resistance	100 MΩ Min., 500VDC
Dielectric Strength	820VAC, 1s, 3mA
Shaft Radial Play	0.02 Max. (450 g-load)
Shaft Axial Play	0.08 Max. (920 g-load)



#### ■ Technical Specifications

Model	Current	Resistance	Inductance	Holding Torque	Bi/Unipolar	Detent Torque	Rotor Inertia	Weight	Length
	A/∅	Ω/∅	mH/∅	Nm	# of Leads	Ncm	g.cm <sup>2</sup>	kg	mm
86 PH 45	5.6	0.4	3.2	4.5	Bi-P (8)	6.5	1050	2.5	80
	2.8	1.6	12.8	4.5	Bi-S (8)				
	4.0	0.8	3.2	3.2	Uni (8)				
86 PH 65	5.6	0.5	4.1	6.5	Bi-P (8)	9.5	1550	3.0	98
	2.8	2.0	12.4	6.5	Bi-S (8)				
	4.0	1.0	4.1	4.9	Uni (8)				
86 PH 85	5.6	0.55	5.5	8.5	Bi-P (8)	12.5	1880	4.0	118
	2.8	2.2	22.0	8.5	Bi-S (8)				
	4.0	1.1	5.5	5.8	Uni (8)				

#### ■ Mechanical Dimension



#### ■ Wiring Diagram

