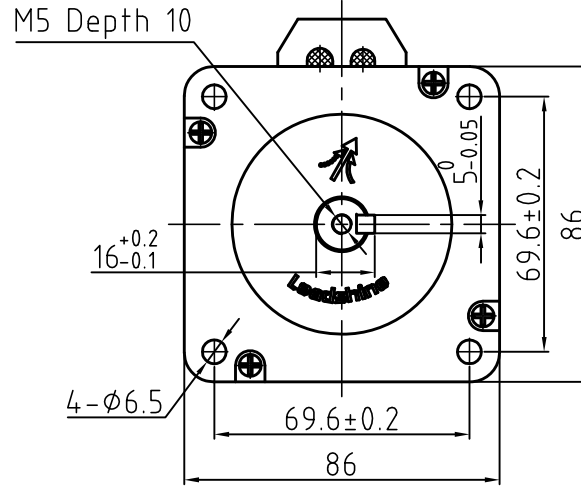
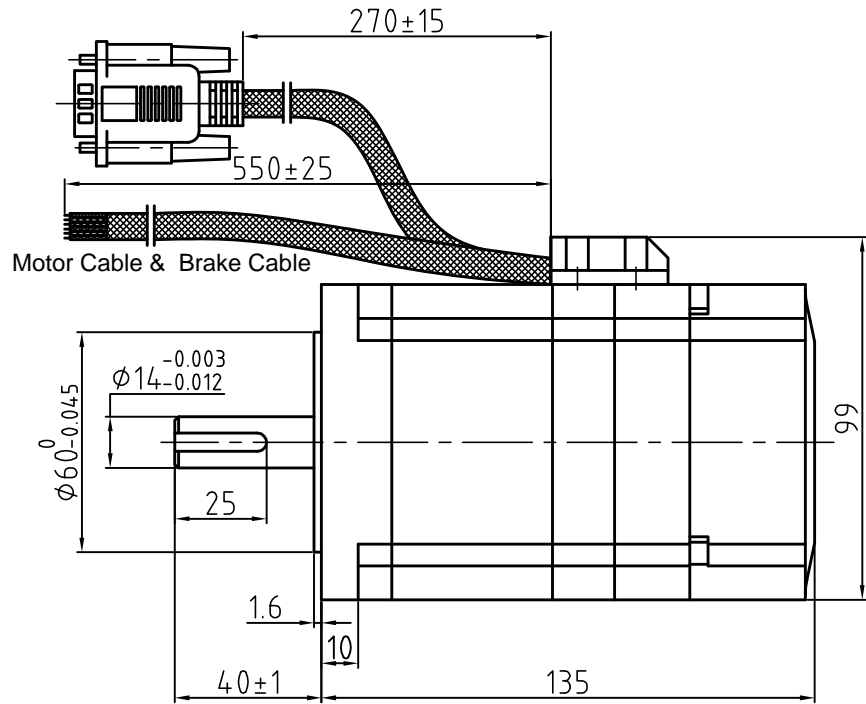
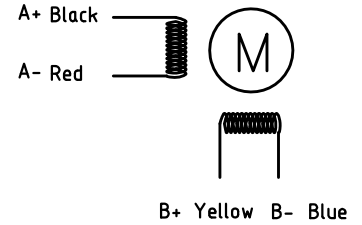


| 版本 Rev. | 日期 Date | 变更文件号 ECN NO. | 变更内容 Revisions | 设计 By |
|---------|---------|---------------|----------------|-------|
| V1.0 | 17.11.8 | | Add Brake | 王洪松 |

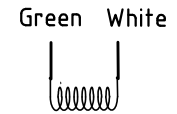
Dimension: (Unit: mm)



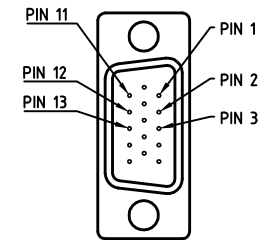
Motor Connctions



Brake Connctions



Encoder Signals



| PIN | 1 | 2 | 3 | 11 | 12 | 13 |
|--------|-----|-----|-----|-----|-----|-----|
| Color | BLK | RED | WHT | YEL | GRN | BLU |
| Define | A+ | VCC | GND | B+ | B- | A- |

Common Rating

| | |
|-----------------------|-----------------------|
| Step angle | 1.8° |
| Position accuracy | 1.8±0.09° |
| Dielectric strength | 1000VAC 1min |
| Insulation resistance | 100MΩ(500VDC) |
| Insulation class | B |
| Temp rise(Max) | 80K |
| Radial play | Max.0.02mm(Load 450g) |
| Axial play | Max.0.08mm(Load 900g) |

Specification

| | |
|--------------------------|-------------------------|
| Current/phase | 4.0 A |
| Voltage | 2 V |
| DC Resistance/phase ±10% | 0.47 Ω |
| Inductance/phase ±20% | 3.6 mH |
| Holding torque | 4 N·M |
| Inertia | 1.95 kg·cm ² |
| Weight | 2.7 kg |
| Encoder Resolution | 1000 ppr (4000 cpr) |

Brake Specification

| | |
|-----------------|-------|
| Voltage | 24Vdc |
| Friction torque | 4N·M |

| | | | | | | | |
|----------------|-----|------------|---------|---------------------------------|----------------|--------------------------------|--------------------------------------|
| 设计 Designed | 王洪松 | 日期 Date | 17.11.8 | 材料 Material | | LEADSHINE TECHNOLOGY CO., LTD. | |
| 审核 Checked | 秦军 | 17.11.8 | | 第一角画法 First Angle projection | | 名称 Title | Closed-loop Stepper Motor with Brake |
| 批准 Approved | 田天胜 | 17.11.8 | | 重量 Weight | 比例 Scale | 阶段标记 Stage Mark | CS-M23445B |
| 料号 Part No. | | | | 共 1 张 第 1 张 Sheet 1 of 1 | 图号 DWG. NO. | | LS-CME86-02-0120-04 |